

## Safety relays - PSR-MS30-1NO-24DC-SC - 2904952

Please be informed that the data shown in this PDF Document is generated from our Online Catalog. Please find the complete data in the user's documentation. Our General Terms of Use for Downloads are valid (<http://phoenixcontact.com/download>)




Safety relay for emergency stop and safety doors up to SILCL 3, Cat. 4, PL e, 1 or 2-channel operation, automatic start, cross-circuit detection, 1 enabling current path,  $U_s = 24 \text{ V DC}$ , fixed screw terminal block

### Your advantages

- Up to Cat.4/PL e according to ISO 13849-1, SILCL 3 according to IEC 62061
- Low housing width of just 6.8 mm
- Two-channel control
- 1 enabling current path
- Automatic activation
- Cross-circuit detection



### Key Commercial Data

Packing unit	1 pc
GTIN	 4 046356 905008
GTIN	4046356905008
Weight per Piece (excluding packing)	80.000 g
Custom tariff number	85371098
Country of origin	Germany

### Technical data

#### Note

Utilization restriction	EMC: class A product, see manufacturer's declaration in the download area
-------------------------	---

#### Dimensions

Width	6.8 mm
-------	--------

# Safety relays - PSR-MS30-1NO-24DC-SC - 2904952

## Technical data

### Dimensions

Height	93.1 mm
Depth	102.5 mm

### Ambient conditions

Ambient temperature (operation)	-40 °C ... 60 °C (observe derating)
Ambient temperature (storage/transport)	-40 °C ... 85 °C
Max. permissible relative humidity (operation)	75 % (on average, 85% infrequently, non-condensing)
Max. permissible humidity (storage/transport)	75 % (on average, 85% infrequently, non-condensing)
Maximum altitude	≤ 2000 m (Above sea level)

### Power supply

Designation	A1/A2
Rated control circuit supply voltage $U_s$	24 V DC -15 % / +10 %
	20.4 V DC ... 26.4 V DC
Rated control supply current $I_s$	typ. 42 mA
Power consumption at $U_s$	typ. 1 W
Inrush current	4.5 A ( $\Delta t < 120 \mu s$ at $U_s$ )
Filter time	1 ms (at A1 in the event of voltage dips at $U_s$ )
Protective circuit	Surge protection Suppressor diode
	Protection against polarity reversal for rated control circuit supply voltage

### Digital inputs

Input name	Sensor circuit
	S11, S12, S22
Description of the input	safety-related sensor inputs
Input voltage range "0" signal	0 V DC ... 5 V DC (for safe Off; at S12)
Input current range "0" signal	0 mA ... 2 mA (for safe Off; at S12)
Inrush current	< 20 mA (with $U_s/I_x$ to S12)
	< 5 mA (with $U_s/I_x$ to S22)
	> -15 mA (with $U_s/I_x$ to S22/0V)
Current consumption	< 5 mA (with $U_s/I_x$ to S12)
	< 5 mA (with $U_s/I_x$ to S22)
	> -5 mA (with $U_s/I_x$ to S22/0V)
Filter time	max. 1.5 ms (at S12, S22; test pulse width)
	min. 7.5 ms (at S12, S22; test pulse rate)
	Test pulse rate = 5 x Test pulse width
Max. permissible overall conductor resistance	150 $\Omega$

## 2. Digital inputs

# Safety relays - PSR-MS30-1NO-24DC-SC - 2904952

## Technical data

### 2. Digital inputs

Input name	Start circuit
	S35
Description of the input	non-safety-related
Number of inputs	1
Input voltage range "1" signal	20.4 V DC ... 26.4 V DC
Inrush current	< 10 mA
Current consumption	< 10 mA
Max. permissible overall conductor resistance	150 Ω
Protective circuit/component	Suppressor diode

### Relay outputs: enabling current path

Output name	Enabling current path
	13/14
Output description	safety-related N/O contacts
Number of outputs	1 (undelayed)
Contact type	1 enabling current path
Contact material	AgSnO <sub>2</sub>
Switching voltage	min. 12 V AC/DC
	max. 250 V AC/DC (Observe the load curve)
Limiting continuous current	6 A (observe derating)
Inrush current	min. 3 mA
	max. 6 A
Sq. Total current	36 A <sup>2</sup> (observe derating)
Switching capacity	min. 60 mW
Switching frequency	max. 0.5 Hz
Mechanical service life	10x 10 <sup>6</sup> cycles
Output fuse	6 A gL/gG (N/O contact)
	4 A gL/gG (for low-demand applications)

### Times

Typical pickup time at US	< 250 ms (when controlled via A1)
Typical response time at US	< 175 ms
Typical release time at US	< 20 ms (when controlled via A1 or S12 and S22.)
Recovery time	< 500 ms

### General

Relay type	Electromechanical relay with force-guided contacts in accordance with IEC/EN 61810-3
Nominal operating mode	100% operating factor

## Safety relays - PSR-MS30-1NO-24DC-SC - 2904952

### Technical data

#### General

Net weight	69 g
Mounting position	vertical or horizontal
Mounting type	DIN rail mounting
Assembly instructions	See derating curve
Degree of protection	IP20
Min. degree of protection of inst. location	IP54
Housing material	PBT
Housing color	yellow
Operating voltage display	1 x green LED
Status display	2 x green LEDs

#### Connection data

Connection method	Screw connection
pluggable	no
Conductor cross section solid	0.2 mm <sup>2</sup> ... 2.5 mm <sup>2</sup>
Conductor cross section flexible	0.2 mm <sup>2</sup> ... 2.5 mm <sup>2</sup>
Conductor cross-section AWG	24 ... 12
Stripping length	12 mm
Screw thread	M3

#### Safety-related characteristic data

Stop category in accordance with IEC 60204	0
Designation	IEC 61508 - High demand
Safety Integrity Level (SIL)	3
Designation	IEC 61508 - Low demand
Safety Integrity Level (SIL)	3
Designation	EN ISO 13849
Performance level (PL)	e (4 A DC13; 5 A AC15; 8760 switching cycles/year)
Category	4
Designation	EN 62061
Safety Integrity Level Claim Limit (SIL CL)	3

#### Standards and Regulations

Designation	Air clearances and creepage distances between the power circuits
Standards/regulations	DIN EN 50178
Rated insulation voltage	250 V AC
	250 V AC
Rated surge voltage/insulation	Safe isolation, reinforced insulation 6 kV between input circuit and enabling current path Basic insulation 4 kV between all current paths and housing

# Safety relays - PSR-MS30-1NO-24DC-SC - 2904952

## Technical data

### Standards and Regulations

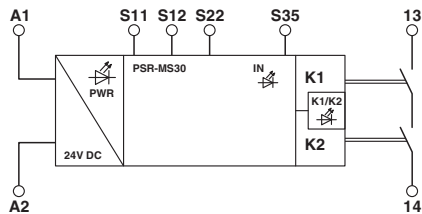
Degree of pollution	2
Overvoltage category	III
Shock	15g
Vibration (operation)	10 Hz ... 150 Hz, 2g
Conformance	CE-compliant

### Environmental Product Compliance

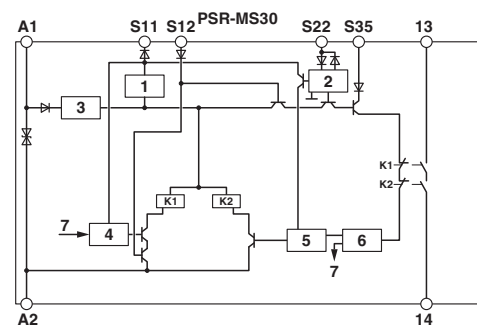
REACH SVHC	Lead 7439-92-1
China RoHS	Environmentally Friendly Use Period = 50 years
	For details about hazardous substances go to tab "Downloads", Category "Manufacturer's declaration"

## Drawings

Block diagram



Block diagram

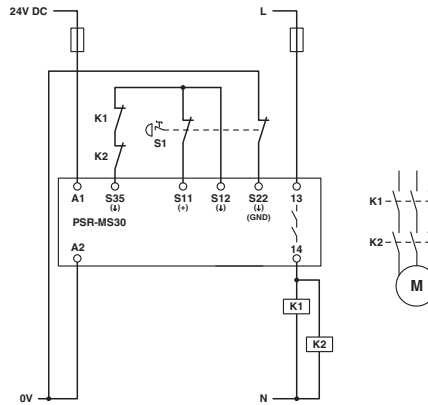


**Key:**

- 1 = Current limitation
- 2 = Input circuit
- 3 = Voltage limitation
- 4 = Control circuit channel 1
- 5 = Control circuit channel 2
- 6 = Start channel 1 and 2
- 7 = Channel 1
- K1, K2 = Force-guided elementary relays

# Safety relays - PSR-MS30-1NO-24DC-SC - 2904952

Application drawing



## Classifications

eCl@ss

eCl@ss 10.0.1	27371819
eCl@ss 11.0	27371819
eCl@ss 4.0	40020600
eCl@ss 4.1	40020600
eCl@ss 5.0	27371900
eCl@ss 5.1	27371900
eCl@ss 6.0	27371800
eCl@ss 7.0	27371819
eCl@ss 9.0	27371819

ETIM

ETIM 6.0	EC001449
ETIM 7.0	EC001449

UNSPSC

UNSPSC 13.2	39121501
UNSPSC 18.0	39122205
UNSPSC 19.0	39122205
UNSPSC 20.0	39122205
UNSPSC 21.0	39122205

## Approvals

Approvals

# Safety relays - PSR-MS30-1NO-24DC-SC - 2904952

## Approvals

Approvals

UL Listed / cUL Listed / Functional Safety / EAC / Functional Safety / cULus Listed

---

Ex Approvals

---

## Approval details

UL Listed		<a href="http://database.ul.com/cgi-bin/XYV/template/LISEXT/1FRAME/index.htm">http://database.ul.com/cgi-bin/XYV/template/LISEXT/1FRAME/index.htm</a>	FILE E 140324
cUL Listed		<a href="http://database.ul.com/cgi-bin/XYV/template/LISEXT/1FRAME/index.htm">http://database.ul.com/cgi-bin/XYV/template/LISEXT/1FRAME/index.htm</a>	FILE E 140324
Functional Safety			44-205-13755202
EAC			RU C- DE.A*30.B.01082
Functional Safety			44-780-13755207
cULus Listed			

## Accessories

Accessories

Terminal marking

## Safety relays - PSR-MS30-1NO-24DC-SC - 2904952

### Accessories

Zack Marker strip, flat - ZBF 6:UNBEDRUCKT - 0808710



Zack Marker strip, flat, Strip, white, unlabeled, can be labeled with: PLOTMARK, CMS-P1-PLOTTER, mounting type: snap into flat marker groove, for terminal block width: 6.2 mm, lettering field size: 5.15 x 6.15 mm, Number of individual labels: 10